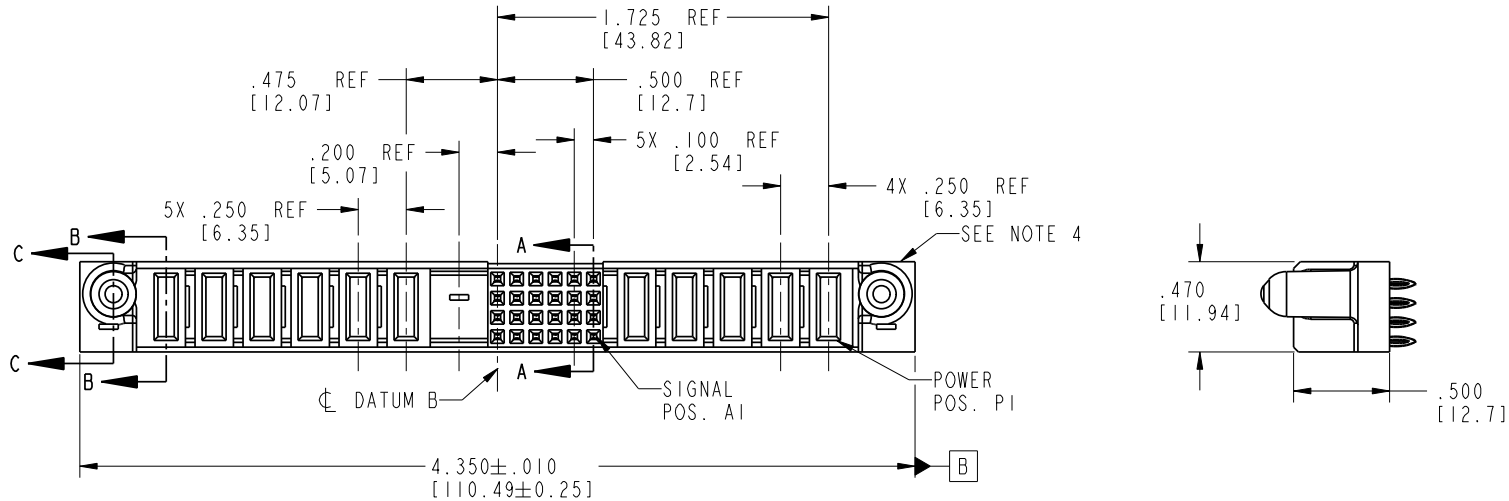


Tous droits strictement réservés. Reproduction ou communication o des liers interdite sous quelque forme que ce soit sans autorisation écrite du propriétaire. Propriete de c FCI. Droits de reproduction FCI.

All rights strictly reserved. Reproduction or issue to third parties in any form whatever is not permitted without written authority from the proprietor. Property of FCI. Copyright FCI.

FCI

PRODUCT NO. 51940-054_- NOTE: 3	ROWS D C B A	POWER						HOLD	SIGNAL					POWER					E1		
		E2	P11	P10	P9	P8	P7	P6		6	5	4	3	2	1	P5	P4	P3		P2	P1
			PF	PF	PF	PF	PF	PF		F	F	F	F	F	F	PC	PC	PC	PC	PC	



CODE	DIM "M" MATING LENGTH	CONTACT TYPE
F	N/A [N/A]	SIGNAL
PC	.042 [1.07]	POWER
PF	.092 [2.34]	POWER

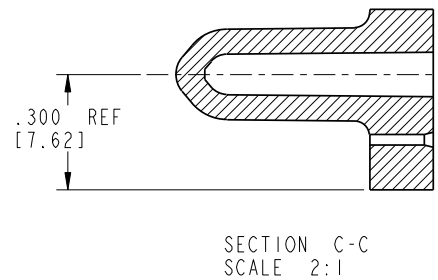
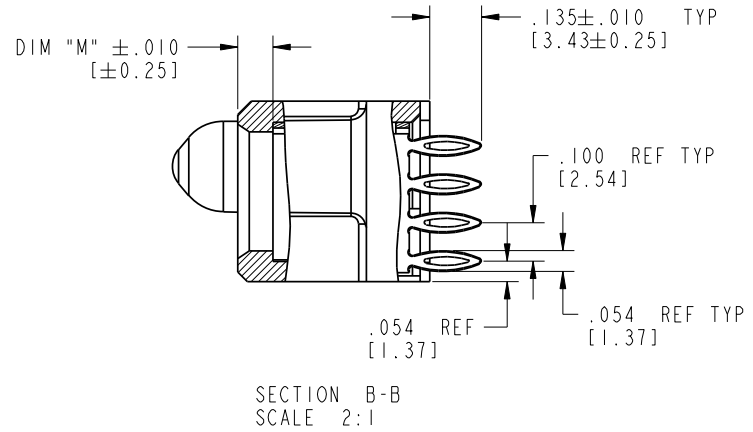
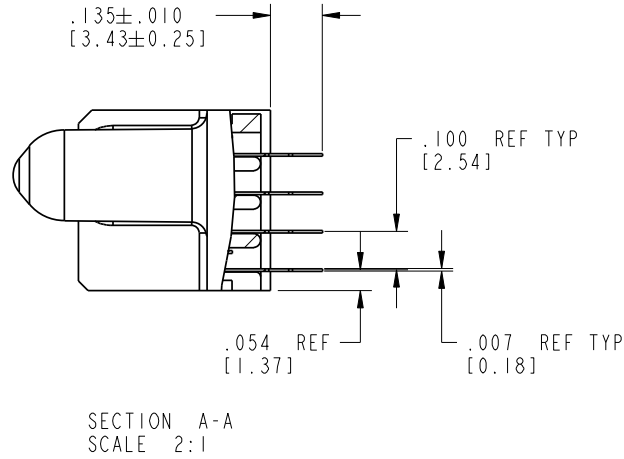
mat'l code				SEE NOTE 2		tolerances unless otherwise specified		CUSTOMER		 www.fciconnect.com	
lir	ecn no.	dr	date	linear	.XX±.01/0.X±0.3	projection		COPY		title	
A	V03-0891	TAB	08/14/03	angles	.XXX±.005/0.XX±0.13			A		5P + 24S + 1M + 6P	
B	DG05-0304	GuoJM	09/27/05		.XXX±.0020/0.XXX±0.051	INCH/MM		product family		VERTICAL PRESS-FIT RECEPT	
				dr	T.BRUNGARD 08/14/03	scale		PwrBlade		code	
				enrg	M. MOSTOLLER 08/14/03	1:1		size		213	
				chr	M. MOSTOLLER 08/14/03			dwg no		sheet	
				appd	M. MOSTOLLER 08/14/03			A 51940-054		1 of 4	
sheet index	revision sheet	B	B	B	B						
		1	2	3	4						

Tous droits strictement réservés. Reproduction ou communication a des tiers interdite sous quelque forme que ce soit sans autorisation écrite du propriétaire. Propriété de c FCI. Droits de reproduction FCI.

All rights strictly reserved. Reproduction or issue to third parties in any form whatever is not permitted without written authority from the proprietor. Property of FCI. Copyright FCI.

FCI

PRODUCT NUMBER
51940-054__
NOTE: 3



mat'l code				SEE NOTE 2		tolerances unless otherwise specified		CUSTOMER		 www.fciconnect.com	
lir	ecn no.	dr	date	linear	.XX±.01/0.X±0.3		COPY		title		
B					.XX±.005/0.XX±0.13		projection		5P + 24S + 1M + 6P		
					.XXX±.0020/0.XXX±0.051				VERTICAL PRESS-FIT RECEPT		
					angles	0°±2°		INCH/MM		product family	
				dr	T. BRUNGARD	08/14/03	scale		PwrBlade		
				enr	M. MOSTOLLER	08/14/03	1:1		code		
				chr	M. MOSTOLLER	08/14/03			213		
				appd	M. MOSTOLLER	08/14/03			sheet		
sheet index		revision sheet						A		2 of 4	
								A		51940-054	

Pro/E

PDM: Rev: B

STAT **Released**

Printed: Aug 14, 2007

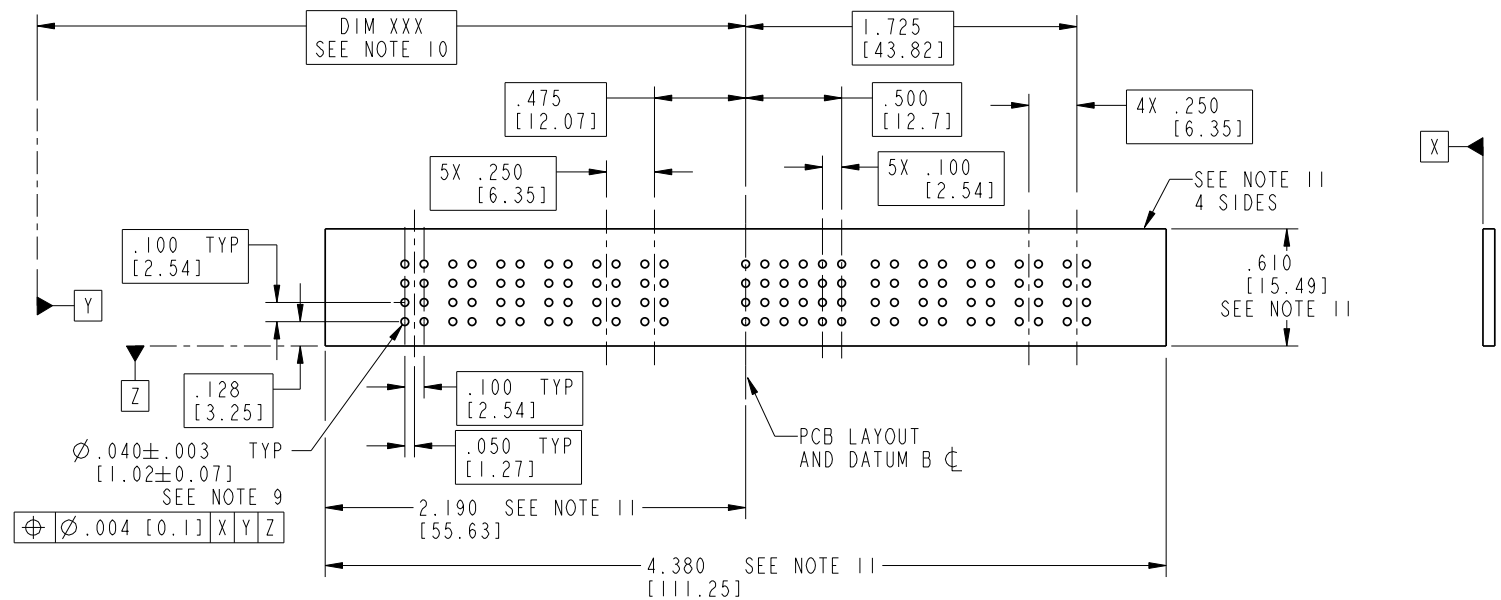
Tous droits strictement réservés. Reproduction ou communication o des tiers interdite sous quelque forme que ce soit sans autorisation écrite du propriétaire. Propriété de c FCI. Droits de reproduction FCI.

FCI

All rights strictly reserved. Reproduction or issue to third parties in any form whatever is not permitted without written authority from the proprietor. Property of FCI. Copyright FCI.

FCI

PRODUCT NUMBER
51940-054__
NOTE: 3



mat'l code		SEE NOTE 2		tolerances unless otherwise specified		CUSTOMER		FCI		www.fciconnect.com	
lir	ecn no.	dr	date	linear	.XX±.01/0.X±0.3	projection	COPY		title 5P + 24S + 1M + 6P		
B				angles	.XXY±.005/0.XX±0.13		INCH/MM		VERTICAL PRESS-FIT RECEPT		
				dr	.XXX±.0020/0.XXX±0.051		scale	product family PwrBlade		code 213	
				enrg	T. BRUNGARD 08/14/03	1:1	size		sheet 3 of 4		
				chr	M. MOSTOLLER 08/14/03	A 51940-054					
				appd	M. MOSTOLLER 08/14/03						
sheet index	revision sheet										

B

B

1 | 2

Pro/E

PDM: Rev: B

STAT **Released**

Printed: Aug 14, 2007

PRODUCT NUMBER

51940-054__
NOTE: 3

NOTES:

1. DIMENSIONS AND TOLERANCES ARE IN ACCORDANCE WITH ASME Y14.5M, 1994 UNLESS OTHERWISE SPECIFIED.

CONNECTOR NOTES:

2 HOUSING MATERIAL: UL 94 V-0 GLASS FILLED HIGH-TEMP THERMOPLASTIC
POWER CONTACT MATERIAL: COPPER ALLOY
SIGNAL PIN MATERIAL: COPPER ALLOY

3. PLATING:
51940-054 Singal Pin:30u"/0.76um Au OVER 50u"/1.27um Ni ON THE CONTACT AREA,
AND 100u"/2.54um SnPb PLATING OVER 50u"/1.27um Ni ON THE TERMINATION SECTION.
Power Pin:30u"/0.76um Au OVER 50u"/1.27um Ni ON THE CONTACT AREA,
AND 100u"/2.54um SnPb PLATING OVER 50u"/1.27um Ni ON THE TERMINATION SECTION.

51940-054LF Singal Pin:30u"/0.76um Au OVER 50u"/1.27um Ni ON THE CONTACT AREA,
AND 78u"/2.00um Sn PLATING OVER 50u"/1.27um Ni ON THE TERMINATION SECTION.
Power Pin:30u"/0.76um Au OVER 50u"/1.27um Ni ON THE CONTACT AREA,
AND 78u"/2.00um Sn PLATING OVER 50u"/1.27um Ni ON THE TERMINATION SECTION.

PART NUMBER 51940-054LF MEETS EUROPEAN UNION DIRECTIVE AND OTHER COUNTRY REGULATIONS AS DESCRIBED IN GS-22-008.

THE HOUSING WILL WITHSTAND EXPOSURE TO 260° PEAK TEMPERATURE FOR 10 SECONDS IN A WAVE SOLDER APPLICATION WITH A CIRCUIT BOARD.

4 MANUFACTURER'S NAME, P/N, AND DATE CODE TO APPEAR ON THIS SURFACE.

5. PRODUCT SPECIFICATION GS-12-149.
APPLICATION SPECIFICATION BUS-20-067.

6. PACKAGED IN TRAYS.

PCB NOTES:


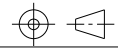

7. ALL HOLE DIAMETERS ARE FINISHED HOLE SIZE.

8 MOUNTING HOLES, WHERE APPLICABLE, ARE UNPLATED.

9 $\varnothing .0453 \pm .0010$ [1.151 \pm 0.025] DRILLED HOLES PLATED WITH .0003 [0.008] MIN SnPb OVER .001 [0.03] TO .003 [0.08] Cu PLATING TO ACHIEVE $\varnothing .040 \pm .003$ [1.02 \pm .07] HOLE.

10 "DIM XXX" TO BE DETERMINED BY THE CUSTOMER.

11 CONNECTOR KEEP-OUT ZONE.

mat'l code				SEE NOTE 2		tolerances unless otherwise specified		CUSTOMER		 www.fciconnect.com	
lir	ecn no.	dr	date	linear	.XX±.01/0.X±0.3		COPY		 title 5P + 24S + 1M + 6P VERTICAL PRESS-FIT RECEPT		
B					.XXX±.005/0.XX±0.13		projection				
				angles	.XXXX±.0020/0.XXX±0.051		 INCH/MM		product family PwrBlade code 213 size dwg no 51940-054 sheet 4 of 4		
					$0^\circ \pm 2^\circ$						
				dr	T. BRUNGARD	08/14/03					
				engr	M. MOSTOLLER	08/14/03					
				chr	M. MOSTOLLER	08/14/03					
				appd	M. MOSTOLLER	08/14/03					
sheet index	revision sheet										

Tous droits strictement reserves. Reproduction ou communication a des tiers interdite sous quelque forme que ce soit sans autorisation ecrite du proprietaire. Propriete de c FCI. Droits de reproduction FCI.

FCI

All rights strictly reserved. Reproduction or issue to third parties in any form whatever is not permitted without written authority from the proprietor. Property of FCI. Copyright FCI.

A

A

B

B